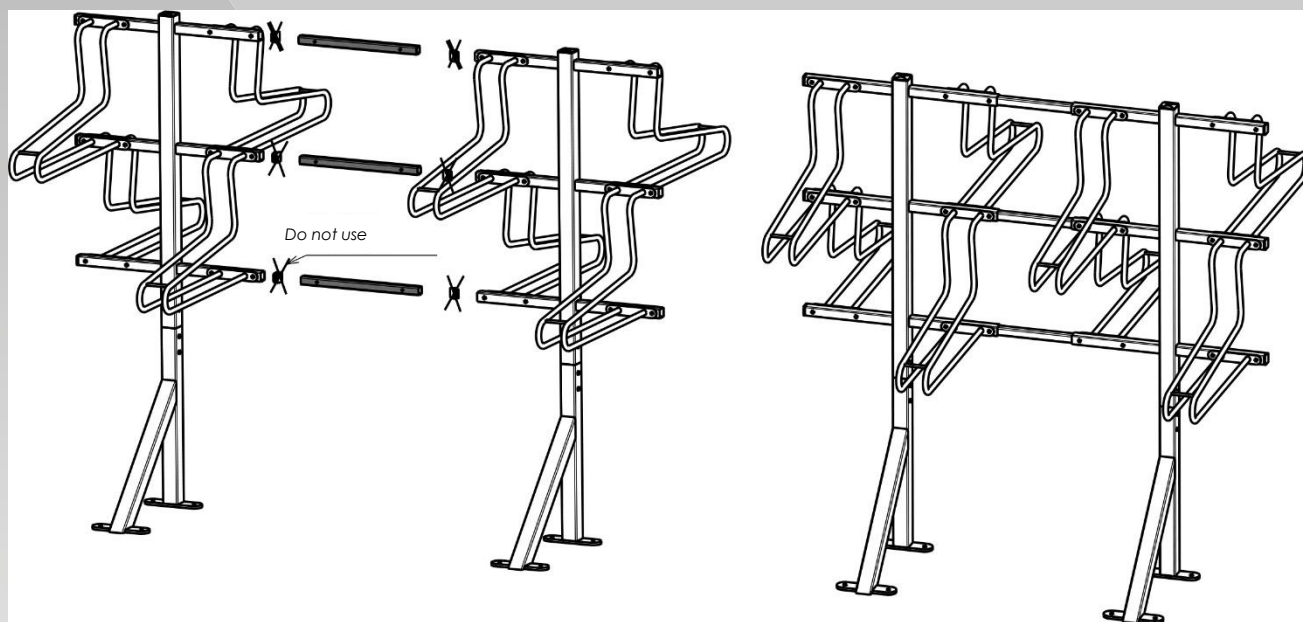


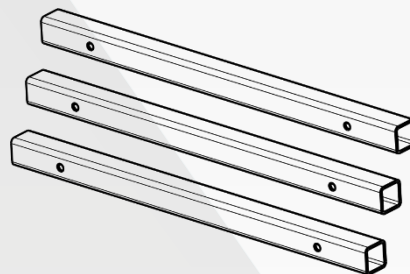
Kit of 3 connecting bars for floor-mounted Bicycle Stand



- **Assembly Kit for References M097C2 and M097C4**
- **This kit allows multiple bike racks to be placed side by side indefinitely, enabling storage for an unlimited number of bicycles.**
- **It includes: 3 bars designed to connect two stands together, ensuring consistent spacing between bikes and enhancing the overall rigidity of the structure.**

Technical Description

- *Material: 25x25 mm steel tubing, 2 mm thick, coated with textured black paint*
- *Bar length: 40 cm*
- *Weight: 1.70 kg*



Mottez Article Code

Article Code : M097SINT
EAN Code : 3234640063607

% of recycled material in the product	70 %
% recycled product in packaging	30 %
Hazardous substance > 0.1%	No
Repairability Index	0 / 10
Recyclable product	Yes