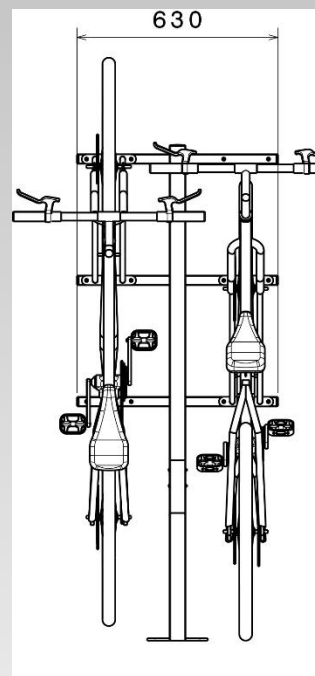
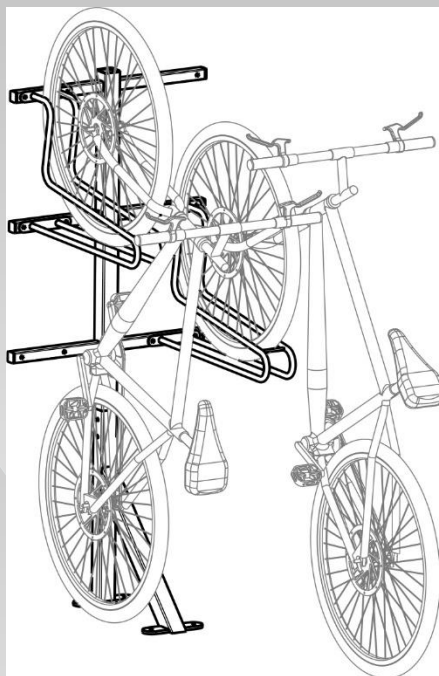
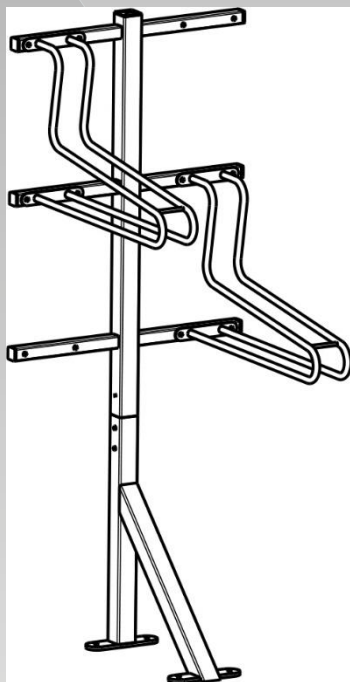
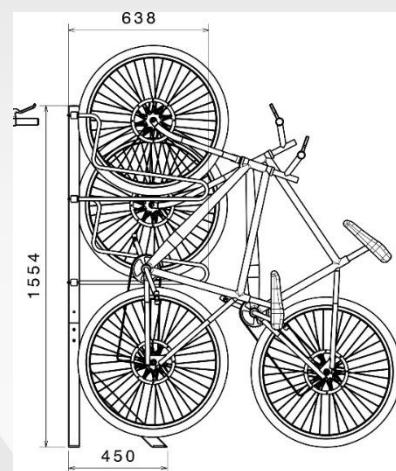


Bike Stand with 2 Bike Hoops



- It allows parking 2 bicycles: 1 bicycle in a vertical position and 1 bicycle in a semi-vertical position, both securable with a U-lock, chain, etc.
- It optimizes space by approximately 35 cm in depth compared to a standard ground rack in the semi-vertical position.
- The base is made of 2 parts, assembled with screws/nuts, and must be fixed to the ground.
- Compatible with bikes featuring disc brakes and any type of tires, with a maximum width of 70 mm.
- It is possible to connect multiple bike stands using the kit (ref. M097SINT).



Technical Description

- Steel tube base 50x50 + 30x30 & bike support steel tube Ø16 mm, sandblasted black paint
- Dimensions: 63 x 63.8 x H 155.5 cm – Bike spacing: 43 cm
- Base plate: mounting holes Ø12 mm (mounting to be adapted to the type of floor)
- Weight: 15 kg

Mottez Article Code

Article Code. : M097C2
EAN Code : 3234640063584

% of recycled material in the product	70 %
% recycled product in packaging	90 %
Hazardous substance > 0.1%	No
Repairability Index	10 / 10
Recyclable product	Yes