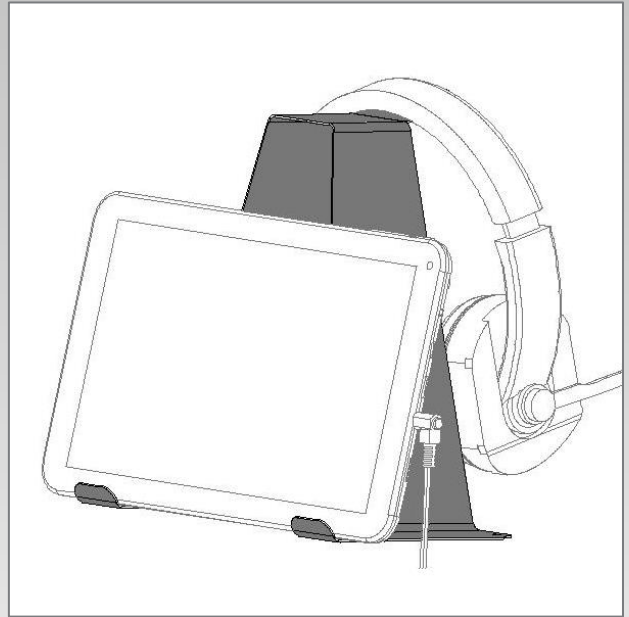
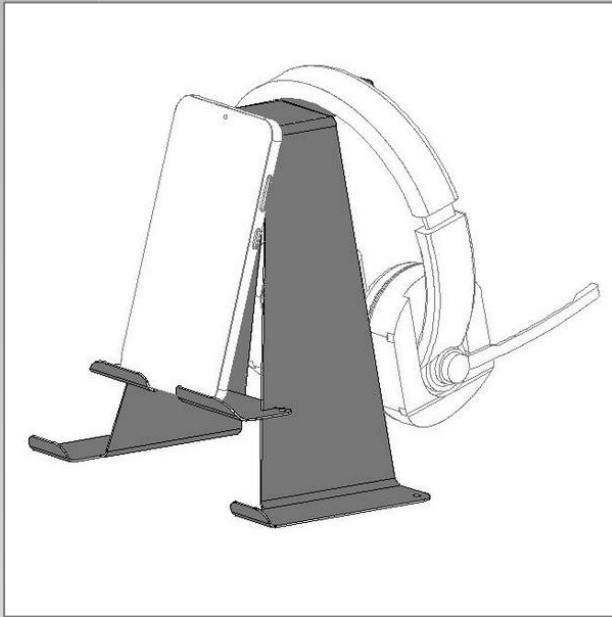


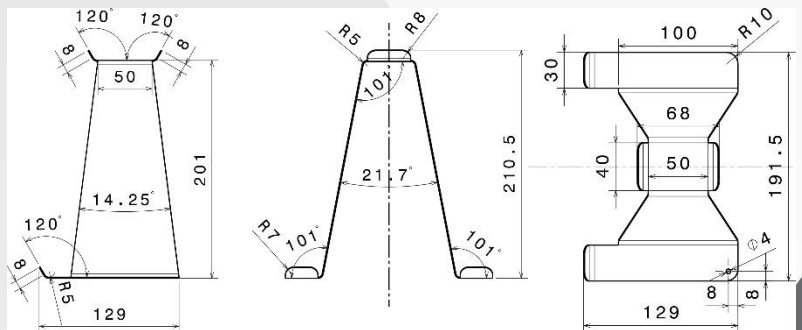
Helmet Holder



- This helmet holder is universal and allows you to place any type of helmet on it.
- It can also be used as a phone & tablet holder.
- Discreet and effective: this headphone holder is made of black steel and brings a nice design to your desk

Technical Description

- 1 mm steel sheet painted sandblasted black
- Dimensions : 13 x 19 x Height 21 cm
- Weight : 0,35 kg



Mottez Article Code

Article Code. : M081S
EAN Code : 3234640063577

% of recycled material in the product	70 %
% recycled product in packaging	30 %
Hazardous substance > 0.1%	No
Repairability Index	0 / 10
Recyclable product	Yes