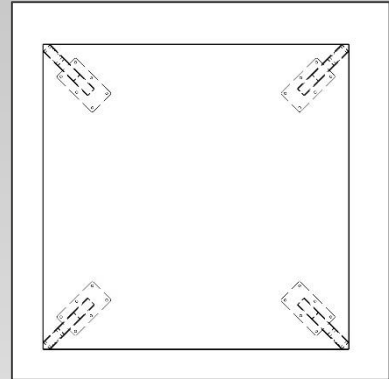
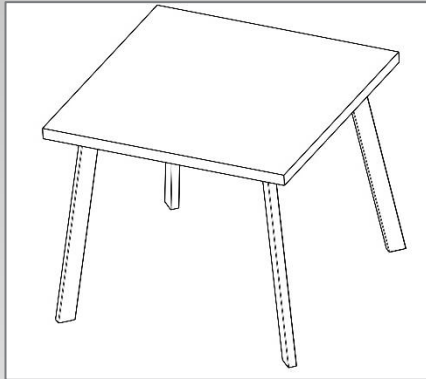
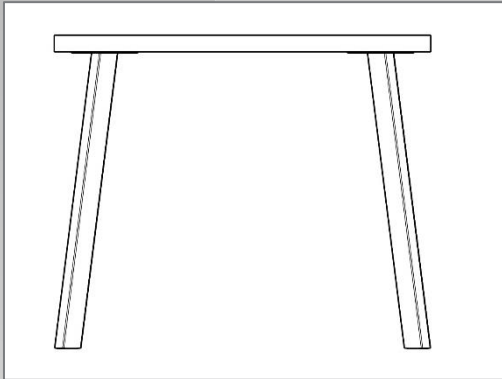


Inclined Table Leg Industrial Style



- Inclined table leg height 71 cm
- Possibility of fixing 3, 4, 5, 6... legs depending on the size and shape of the top (round, square...).
- With 4 legs, possibility of making a rectangular table of 90 x 200 cm
- Max weight load : 80 kg / leg

Technical Description

- *Material: 60x30 rectangular steel tube, thick. 1.2 mm, white or black matt paint*
- *Fixing plate thickness 3 mm with 6 holes for fixing on table top by screwing*
- *Overall dimension : 23 x 8 x Height 75 cm*
- *Weight : 1,60 kg / leg*



% of recycled material in the product	70 %
% recycled product in packaging	
Hazardous substance > 0.1%	No
Repairability Index	N/A
Recyclable product	Yes

Mottez Article Code

Color : White

Art. Code : **M599VBC71**
EAN Code : 3234640063034

Color : Black

Art. Code : **M599VNO71**
EAN Code : 3234640063027