

# Cargo Bike Stand



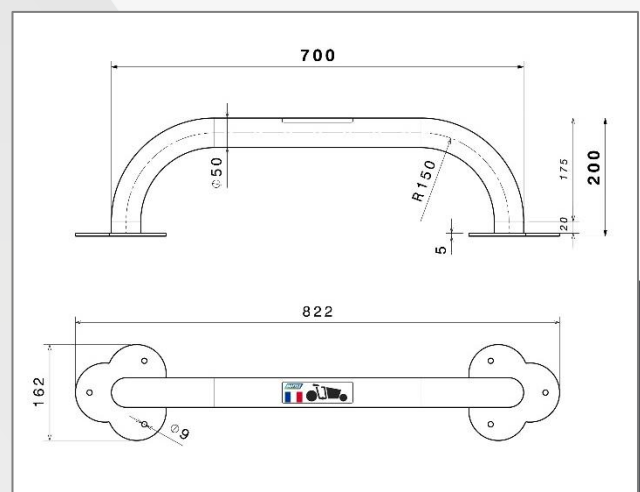
- Anti-theft hoop suitable for two-carrier and three-cargo cargo bikes
- Used to secure cargo bikes by attaching them to their lower part.
- Quick and easy installation, indoor and outdoor.
- Supplied with 6 unscrewable screws and dowels for concrete.
- The hoop is equipped with a "cargo bike" icon sticker



## Technical Description

- *Material: steel tube Ø 50 with primer coat + polyester powder paint = optimal anti-rust treatment*
- *Overall Dim. : 82 x 16 x Height 20 cm*
- *Useful Dim.: 60 x 5 x Height 20 cm*
- *Weight : 3,50 kg*

|                                       |        |
|---------------------------------------|--------|
| % of recycled material in the product | 70 %   |
| % recycled product in packaging       | 50 %   |
| Hazardous substance > 0.1%            | No     |
| Repairability Index                   | 0 / 10 |
| Recyclable product                    | Yes    |



## Mottez Article Code

### Corten Colour

**Article Code : M043S**

**EAN Code : 3234640062808**

### Charcoal Grey

**Article Code : M043SGR**

**EAN Code : 3234640062884**