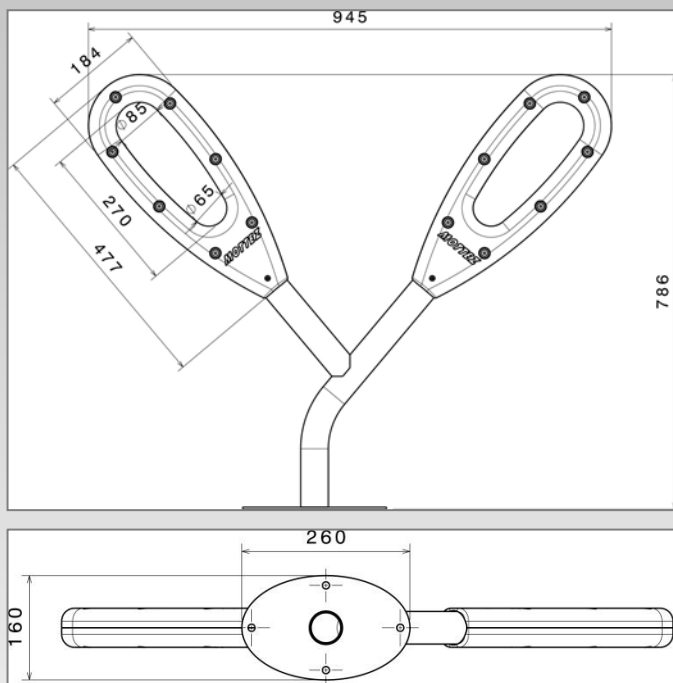


Butterfly Cycle Stand – for 2 bikes



2 rubber loops (recycled rubber) for maximum protection of bikes
The bikes are held against the two rubber loops in order to avoid paint scratches
The 2 loops allow to fix a cable lock or U-lock

Technical Description

Steel tube \varnothing 50 with primer + charcoal grey paint + recycled rubber loops

2 flat iron rings 4mm thick and 2 rubber gum loops

Oval attachment plate 260 x 160 mm - Thick 5 mm - 4 fixing holes \varnothing 11mm

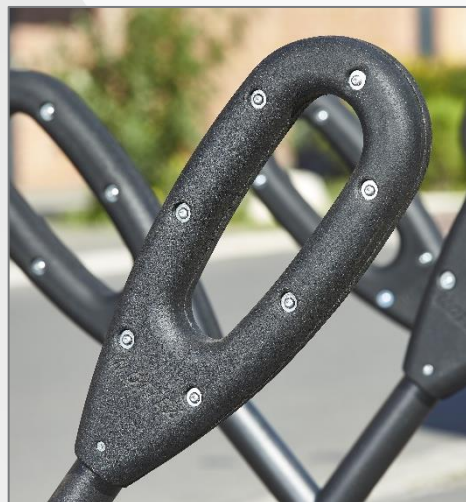
Overall Dimensions: Length 95cm – Width 16cm – Height 79cm

Rubber loop dimensions: 19 x 6 x height 48 cm

Dimensions of the Rubber loop : 19 x 6 x height 48 cm

Weight : 8,50 kg

Rubber + Flat iron sheet



Mottez Article Code

Article code : **B142C**

EAN code : 3234640059990



B142C & B146S
DEMONSTRATION PRODUIT